



LUCERNA

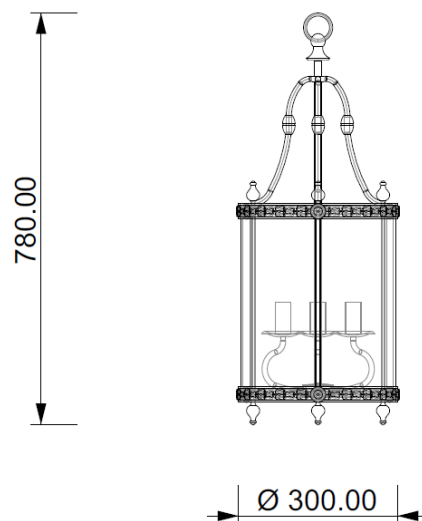
Code: S02301010606

Type: pendant lamp

Light: scattered light



DIMENSIONS (MM)



TECHNICAL DATA

Light source	E14 bulbs
Nominal power	3XE14 5W led
Color temperature	2700k
Voltage	230V
IP code	IP 20
Dimming	On/Off
EC conformity	Yes
UL conformity	Yes
Location	interior

MATERIAL

Material	metal, glass
Finish	bronze (for variations: see the colors' sheet)

BOX

Net weight	8 kg
Gross weight	10 kg

WARRANTY

Duration	2 years
----------	---------