

## ASTRA

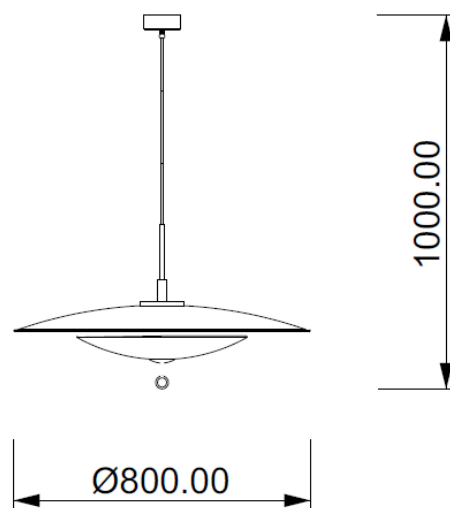
Code: S00202010212

Type: pendant lamp

Light: scattered light



### DIMENSIONS (MM)



### TECHNICAL DATA

Light source	LED bulbs
Nominal power	5XG9 4.5W led
Color temperature	2700k
Voltage	230V
IP code	IP 20
Dimming	On/Off
EC conformity	Yes
UL conformity	Yes
Location	interior

### MATERIAL

Material	metal, glass
Finish	black, ivory (for variations: see the colors' sheet)

### BOX

Net weight	11 kg
Gross weight	13 kg

### WARRANTY

Duration	2 years
----------	---------